

METRIC FITTINGS

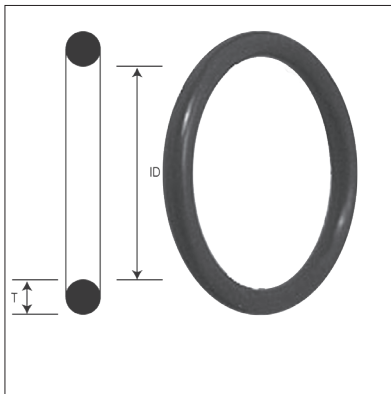
ORIGIN: GERMANY



INFORMATION:

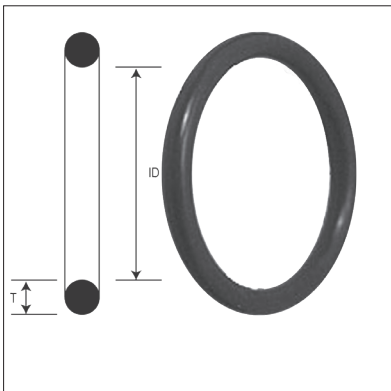
DKL = Dicht Kegel Leicht meaning Sealing Cone Light (Cone included angle is 24°)

O-RING DATA



O-Ring Details for Light Series Hose tails				
Product Code	Hose Tail Series	Metric Thread Size	Tube O.D. (mm)	O-Ring (mm)
				I.D. x Thickness
DKOR 06-L/S	DLF1 DLF4 DLF9	M12x1.5	6	4x1.5
DKOR 08-L/S		M14x1.5	8	6x1.5
DKOR 10-L/S		M16x1.5	10	7.5x1.5
DKOR 12-L/S		M18x1.5	12	9x1.5
DKOR 15-L		M22x1.5	15	12x2
DKOR 18-L		M26x1.5	18	15x2
DKOR 22-L		M30x2	22	20x2
DKOR 28-L		M36x2	28	26x2
DKOR 35-L		M45x2	35	32x2.5
DKOR 42-L		M52x2	42	38x2.5

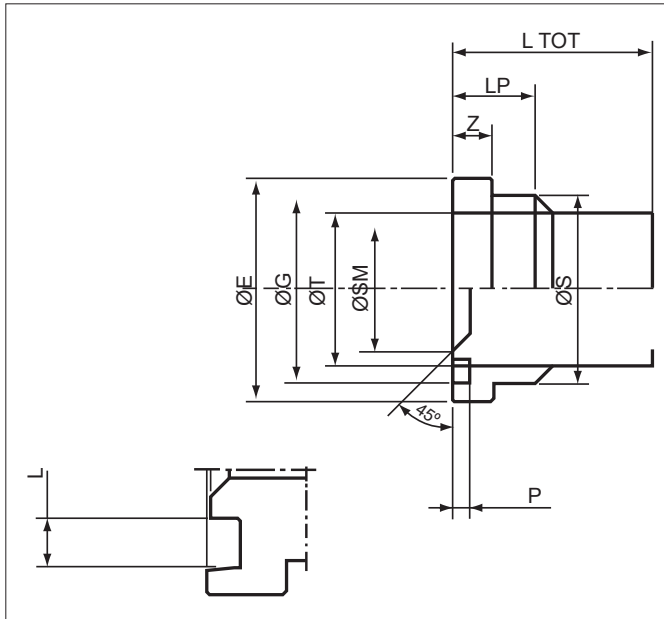
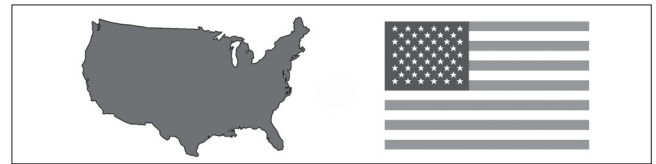
O-RING DATA



O-Ring Details for Heavy Series Hose tails				
Product Code	Hose Tail Series	Metric Thread Size	Tube O.D. (mm)	O-Ring (mm)
				I.D. x Thickness
DKOR 06-L/S	DSF1 DSF4 DSF9	M14x1.5	6	4x1.5
DKOR 08-L/S		M16x1.5	8	6x1.5
DKOR 10-L/S		M18x1.5	10	7.5x1.5
DKOR 12-L/S		M20x1.5	12	9x1.5
DKOR 14-S		M22x1.5	14	10x2
DKOR 16-S		M24x1.5	16	12x2
DKOR 20-S		M30x2	20	16.3x2.4
DKOR 25-S		M36x2	25	20.3x2.4
DKOR 30-S		M42x2	30	25.3x2.4
DKOR 38-S		M52x2	38	33.3x2.4

SAE FLANGES

ORIGIN: NORTH AMERICA



Nominal Groove and Flange Dimensions for the PIRTEK Range of SAE Code 61, Code 62 and "Supercat" Flanges

Note that manufacturing tolerances may apply. Refer to SAE J518 for comprehensive details.

Further technical details of O-Rings and Flange Clamps can be found in Section C (Adapters) of this Catalog

Note that the dimensions of "Supercat" Flanges are identical to those of Code 62 Flanges in all respects except Dimension Z.

The "Supercat" Flanges all have 14.2 mm as the Z Dimension.

Associated bolt dimensions are tabulated opposite.

SIZE	O-Ring Product Code	Clamp Product Code	CODE 61 DIMENSIONS							
			ØE	ØG	ØS	Z	LP	L	P	LTOT
08	Y-08	AZ3-08	30.18	25.46	24	6.73	13	4.2	2.86	Sufficient to allow bolt installation
12	Y-12	AZ3-12	38.10	31.80	32	6.73	14	4.2	2.86	
16	Y-16	AZ3-16	44.45	39.68	38	8.00	14	4.2	2.86	
20	Y-20	AZ3-20	50.80	44.51	43	8.00	14	4.2	2.86	
24	Y-24	AZ3-24	60.33	53.85	50	8.00	16	4.2	2.86	
32	Y-32	AZ3-32	71.42	63.37	62	9.53	16	4.2	2.86	
40	Y-40	AZ3-40	84.12	76.20	74	9.53	18	4.2	2.86	
48	Y-48	AZ3-48	101.60	91.92	90	9.53	19	4.2	2.86	

SIZE	O-Ring * Product Code	Clamp Product Code	CODE 62 DIMENSIONS							
			ØE	ØG	ØS	Z	LP	L	P	LTOT
08	Y-08	AZ6-08	31.75	25.46	24	7.75	14	4.2	2.86	Sufficient to allow bolt installation
12	Y-12	AZ6-12	41.28	31.80	32	8.76	18	4.2	2.86	
16	Y-16	AZ6-16	47.63	39.68	38	9.53	21	4.2	2.86	
20	Y-20	AZ6-20	53.98	44.51	44	10.29	25	4.2	2.86	
24	Y-24	AZ6-24	63.50	53.85	51	12.57	30	4.2	2.86	
32	Y-32	AZ6-32	79.38	63.37	67	12.57	38	4.2	2.86	

* OKS Series O-Rings provide superior performance to the Y Series O-Rings for more demanding applications often associated with Code 62 Flanges
See Catalog Section C page 84

SIZE	O-Ring Product Code	Clamp Product Code	STANDARD PRESSURE KOMATSU FLANGES DIMENSIONS							
			ØE	ØG	ØS	Z	LP	L	P	LTOT
10	Y-10	-	34.1					4.75	2.70	
12	KY-12	AZ3-12	38.0	31.07	31.80	6.70	14	4.75	2.70	65
16	KY-16	AZ3-16	44.5	38.07	38.00	8.00	14	4.75	2.70	65
20	KY-20	AZ3-20	50.8	44.07	43.00	8.00	14	4.75	2.70	71
24	KY-24	AZ3-24	60.3	54.10	50.20	8.00	16	4.75	2.70	83
32	KY-32	AZ3-32	71.4	65.10	62.00	9.50	22+	4.25	2.40	113