


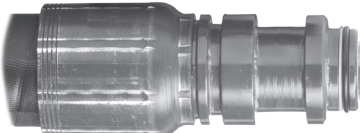


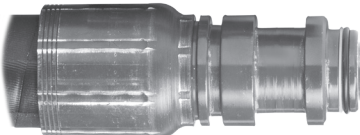


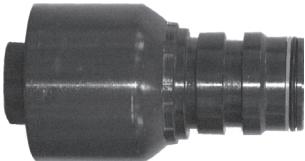

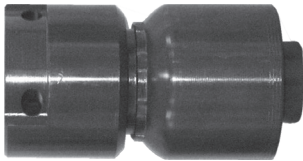
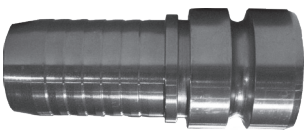

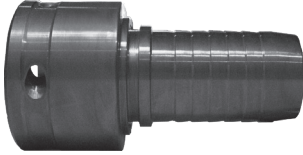
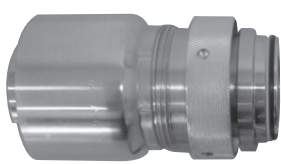
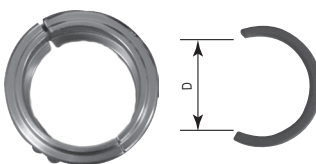



# MINING FITTINGS AND ADAPTERS

Configuration	Appearance		
<b>Standard Stapelok</b>			
<p>HOSE TAILS PAGES 55, 56</p>	<p>ADAPTERS SECT U PAGE 45</p>		
<b>Super Stapelok</b>			
<p>HOSE TAILS PAGE 56</p>	<p>ADAPTERS SECT U PAGE 61</p>		
<b>Clipline (Large Bore)</b>			
<p>HOSE TAILS PAGE 56</p>	<p>ADAPTERS SECT U PAGE 61</p>		
<b>Flushfit</b>			
<p>HOSE TAILS PAGES 58 - 61</p>	<p>ADAPTERS SECT U 99 - 110</p>		
<b>Slimline</b>			
<p>HOSE TAILS PAGES 62 - 63</p>	<p>ADAPTERS SECT U 114 - 118</p>		
<b>SSV / SSKV</b>			
<p>HOSE TAILS PAGES 64, 65</p>	<p>ADAPTERS SECT U PAGES 73, 81</p>		

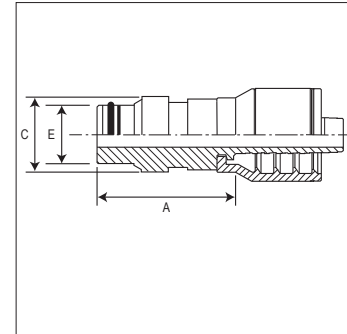
# STAPLELOK

ORIGIN: GERMANY



## STM1

STANDARD STAPLELOK STRAIGHT  
WITH STAINLESS STEEL OPTION

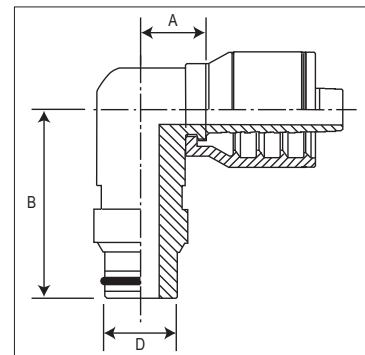


Product Code				Nominal Bore Staple			Nominal Bore Hose			Dimensions mm		
K / J Series	H Series	H Series	T Series	Dash	Inch	DN	Dash	Inch	DN	A	B	D
STM1-0604K*			STM1-0604T*	4	1/4"	6	4	1/4"	6	36	21	9.9
STM1-1004K*				6	3/8"	10	4	1/4"	6	32	21	13.9
STM1-1006J*				6	3/8"	10	6	3/8"	10	35	20	13.9
STM1-1308J*				8	1/2"	12	8	1/2"	12	35	22	17.9
STM1-1610K*				10	5/8"	16	10	5/8"	16	36	22	20.9
STM1-2012J*		STM1-2012H*		12	3/4"	20	12	3/4"	20	35	22	23.9
STM1-2516J*	STM1-2516H*			16	1"	25	16	1"	24	43	24	30.9
STM1-3220J*	STM1-3220H*			20	1.1/4"	32	20	1.1/4"	25	45	25	37.9
STM1-4024J*				24	1.1/2"	40	24	1.1/2"	28	49	28	46.9
STM1-5032J*				32	2"	50	32	2"	28	51	28	55.9
STM1-7548J*				48	3"	75	48	3"	75			
<b>STAINLESS STEEL FITTINGS</b>												
STM1SS-0604K*				4	1/4"	6	4	1/4"	6	36	21	9.9
STM1SS-1004K*				6	3/8"	10	4	1/4"	6	32	21	13.9
STM1SS-1006J*				6	3/8"	10	6	3/8"	10	35	20	13.9
STM1SS-1308J*		STM1SS-1308H*		8	1/2"	12	8	1/2"	12	35	21	17.9
STM1SS-2012J*				12	3/4"	20	12	3/4"	20	35	22	23.9
STM1SS-3220J*				20	1.1/4"	32	20	1.1/4"	32	45	25	37.9
STM1SS-4024J*				24	1.1/2"	40	24	1.1/2"	28	49	28	46.9
STM1SS-5032J*				32	2"	50	32	2"	28	51	28	55.9

\*Available on request.

## STMC9

STANDARD STAPLELOK  
COMPACT ELBOW



Product Code				Nominal Bore Staple			Nominal Bore Hose			Dimensions mm			
K / J Series	H Series	H Series	T Series	Large Bore	Dash	Inch	DN	Dash	Inch	DN	A	B	D
STMC9-1004K*					6	3/8"	10	4	1/4"	6			
STMC9-1006J*					6	3/8"	10	6	3/8"	10			

\*Available on request.



This page is part of a complete catalog containing technical and safety data.  
All data must be reviewed when selecting a product.  
PIRTEK reserves the right to change technical specifications without notice.

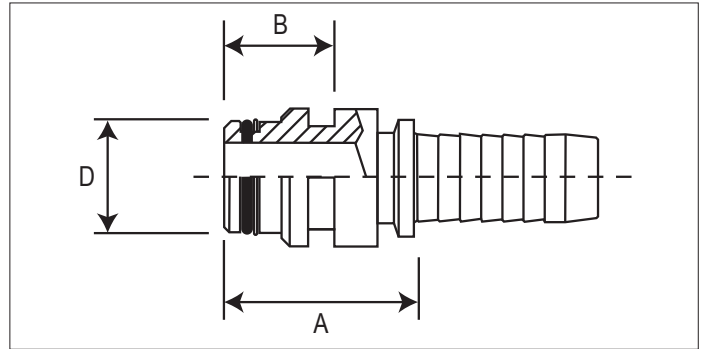
# STAPLELOK

ORIGIN: GERMANY



## STM1-5032

STANDARD STAPLELOK STRAIGHT FOR INDUSTRIAL & HYDRAULIC HOSE

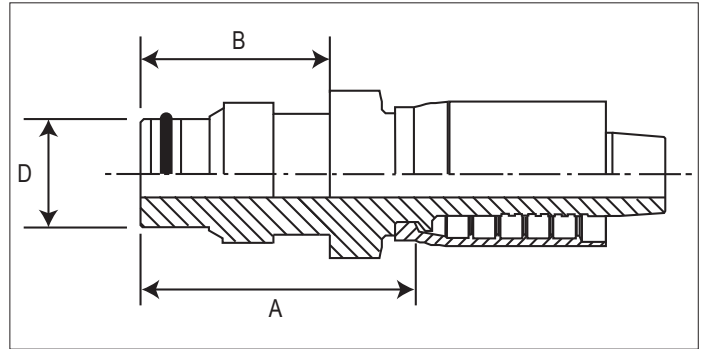


Product Code	Ferrule / Hose Combination		Nominal Bore Staple			Nominal Bore Hose			Dimensions mm		
	R2AT/2SC	IRFAW	Dash	Inch	DN	Dash	Inch	DN	A	B	D
STM1-5032	SS2-32	FFI-50	32	2"	50	32	2"	50	55	28	55.9

\*Available on request.

## SSTM1

SUPER STAPLE STRAIGHT ONE PIECE TAIL

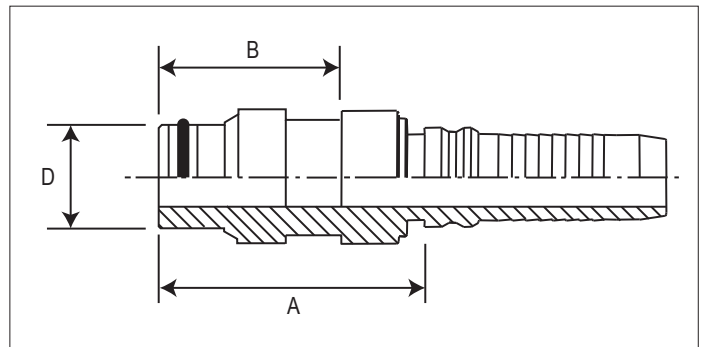


Product Codes		Ferrule / Hose Combination		Nominal Bore Staple			Nominal Bore Hose			Dimensions mm		
Steel	Stainless Steel	C35	C42	Dash	Inch	DN	Dash	Inch	DN	A	B	D
SSTM1-2012X	SSTM1SS-2012H	•	•	12	3/4"	20	12	3/4"	20	55	27	21.9
SSTM1-2516X		•	•	16	1"	25	16	1"	25	72	40	31.3
SSTM1-3220X		•	•	20	1.1/4"	32	20	1.1/4"	32	77	38	37.9
SSTM1-4024X	SSTM1SS-4024X	•	•	24	1.1/2"	40	24	1.1/2"	40	78	41	44.3
SSTM1-5032X		•		32	2"	50	32	2"	50	90	43	49.9
SSTM1-5032XL			•	32	2"	50	32	2"	50	90	43	49.9

\*Available on request.

## SSTM1

SUPER STAPLE STRAIGHT INTERLOCK TAIL



Product Code	Ferrule / Hose Combination		Nominal Bore Staple			Nominal Bore Hose			Dimensions mm		
	C35	C42	Dash	Inch	DN	Dash	Inch	DN	A	B	D
SSTM1-4024I	IF13-24	IF13-24	24	1.1/2"	40	24	1.1/2"	40	68	42	43.8
SSTM1BS-5030I	-	IFBS-32	32	2"	50	32	2"	50	93	43	50.0

\*Available on request.

# CLIPLINE

## LOW PROFILE COUPLING

### MEDIUM PRESSURE

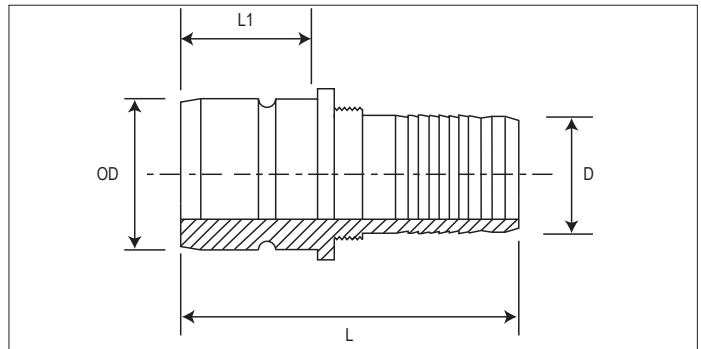


The threaded latch design of the hose tail / ferrule combination is suited only to use with hose Product Code JBF-40

\* Maximum Working Pressure 140 bar

## CLM1

### CLIPLINE MALE HOSE TAIL



Product Code	Nominal Bore Staple			Nominal Bore Hose			Dimensions mm			
	Dash	Inch	DN	Dash	Inch	DN	L	L1	D	OD
CLM1-63-40*	40	2.1/2"	63	40	2.1/2"	63	180	74	62.5	81.8

\*Available on request.

## BSMS

### BRIDGESTONE FERRULE

### JBF MULTI-SPIRAL HOSE



Product Code	Nominal Bore Staple			Dimensions mm		
	Dash	Inch	DN	L	OD	
BSMS-40*	40	2.1/2"	63	94.9	93.3	Note threaded latch

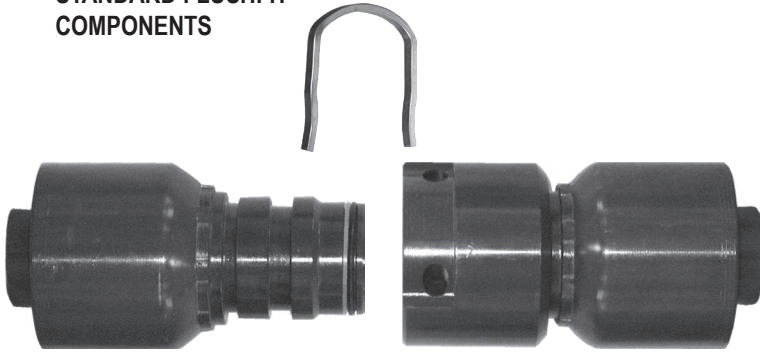
\*Available on request.

# FLUSHFIT

## LOW PROFILE COUPLING

### STANDARD AND SUPER

STANDARD FLUSHFIT COMPONENTS



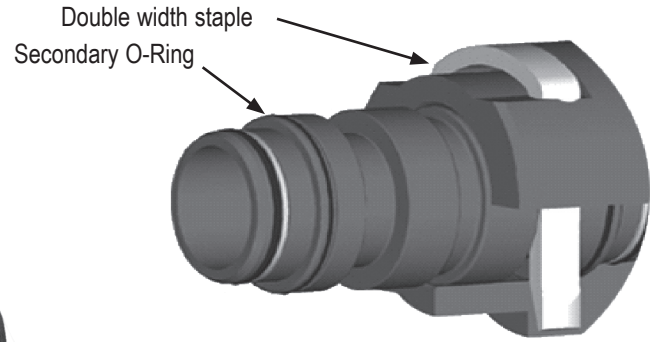
**Description:**

- Steel bodied low profile coupling system for full bore internal flow path with smallest possible exterior dimensions
- The staple is retained fully within the coupling profile to be snag-free
- Available in standard and super configurations (Standard configuration design varies according to fitting size)
- The Super form embodies a secondary O-Ring to maintain a clean environment in the main bore
- A clearance area simplifies staple extraction
- Fewer loose parts than similar designs

**Materials and Specifications:**

- Flat Teflon backup ring
- Nitrile O-Rings
- Free cutting steel body
- Hardened staple in either single width (Standard design) or double width (Super design)
- 2" material conforms to ( BS 970-080M47) (UNI EN C45)
- 2 1/2" material 50 D (BS 4360-90) (UNI EN S355J2G3 extruded tube). Alternatively material conforms to ( BS 970-230M07) (UNI EN 11SMnPb30)

CUTAWAY OF SUPER FLUSHFIT ASSEMBLED JOINT



**Applications:**

- Standard Series: low to medium pressure large bore lines (pressure and return) where the application requires a smooth exterior profile to avoid snagging
- Super Series: extra high pressure large bore lines where the application requires a smooth exterior profile to avoid snagging
- Refer PIRTEK for selection of suitable hoses to use with Flushfit Standard and Super fittings

## NOMINAL WORKING PRESSURES

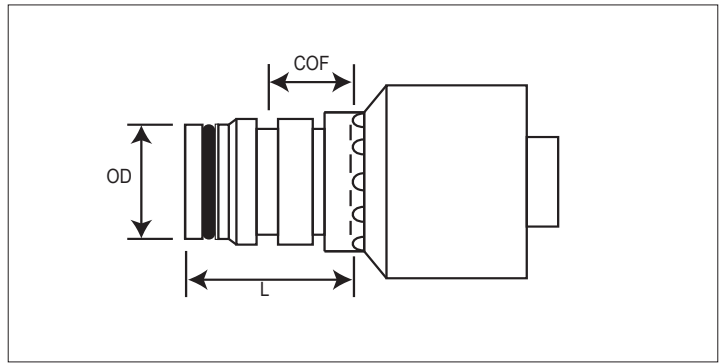
### FLUSHFIT STANDARD AND SUPER

Dash	Size		Standard Flushfit - psi		Super Flushfit - psi	
	Inch	DN	Working Pressure	Burst Pressure	Working Pressure	Burst Pressure
24	1.1/2"	40	2117	8470	6091	24366
32	2"	50	1624	6497	6091	24366
40	2.1/2"	63	1000	4307	-	-

# FFM1

## FLUSH FIT STANDARD MALE HOSE TAIL

Suited to use with wire braided hydraulic hose



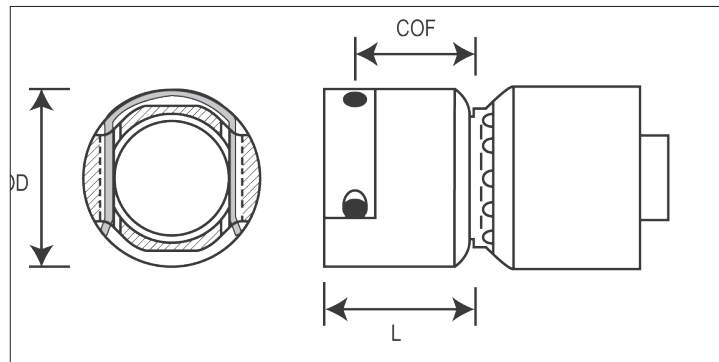
Product Code	Nominal Bore Flush Fit			Nominal Bore Hose			Dimensions mm				
	J Series	Dash	Inch	DN	Dash	Inch	DN	OD	COF	L	O-Ring
FFM1-4024J*	24	1.1/2"	40	24	1.1/2"	40	42.06	31.4	62.8	42.4 OD x 2.4 Ø	42 x 38 x 1.5 Thick
FFM1-5032J*	32	2"	50	32	2"	50	-	-	-	-	-
FFM1-6340J*	40	2.1/2"	63	40	2.1/2"	63	-	-	-	-	-

\*Available on request.

# FFF1

## FLUSH FIT STANDARD FEMALE HOSE TAIL

Suited to use with wire braided hydraulic hose



Product Code	Nominal Bore Flush Fit			Nominal Bore Hose			Dimensions mm		
	K / J Series	Dash	Inch	DN	Dash	Inch	DN	OD	L
FFF1-4024J*	24	1.1/2"	40	24	1.1/2"	40	70	65.4	53.5
FFF1-5032J*	32	2"	50	32	2"	50	-	-	-
FFF1-6340J*	40	2.1/2"	63	40	2.1/2"	63	-	-	-

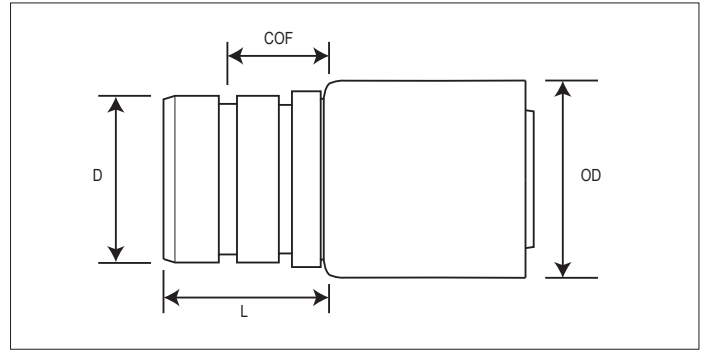
\*Available on request.

# FFIM1

## FLUSH FIT STANDARD MALE INDUSTRIAL HOSE TAIL

Ferrule supplied with hose tail

Suited to use with FRAS rated air / water hose IRFAW



Product Code	Nominal Bore Flush Fit			Nominal Bore Hose			Dimensions Hose Tail mm			Dimensions Ferrule mm		
	L Series	Dash	Inch	DN	Dash	Inch	DN	L	D	COF	Length	OD
FFIM1-5032L*		32	2"	50	32	2"	50	57.1	55.9	33.3	-	-
FFIM1-6340L*		40	2.1/2"	63	40	2.1/2"	63	79.1	76.1	50.4	91.2	90.2

\*Available on request.

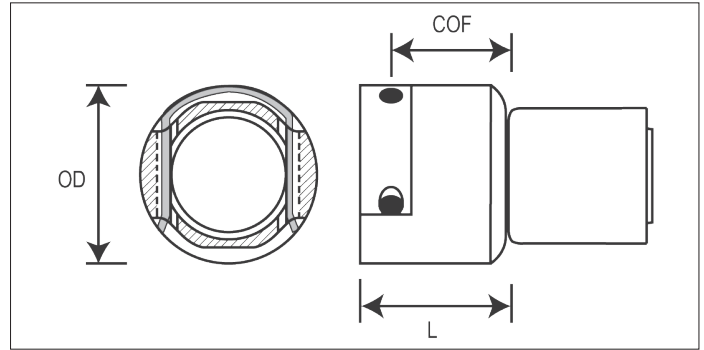
# FFIF1

## FLUSH FIT STANDARD FEMALE INDUSTRIAL HOSE TAIL

Ferrule supplied with hose tail

Internal O-Ring not shown

Suited to use with FRAS rated air / water hose IRFAW

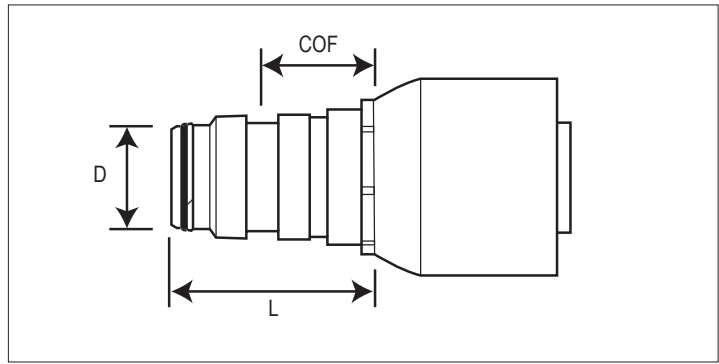


Product Code	Nominal Bore Flush Fit			Nominal Bore Hose			Dimensions Hose Tail mm			Dimensions Ferrule mm		
	L Series	Dash	Inch	DN	Dash	Inch	DN	L	OD	COF	Length	Ø
FFIF1-5032L*		32	2"	50	32	2"	50	55.8	76	40.2	-	-
FFIF1-6340L*		40	2.1/2"	63	40	2.1/2"	63	65.4	106	44.8	91.2	90.2

\*Available on request.

# FFSM1

## FLUSH FIT SUPER MALE HOSE TAIL

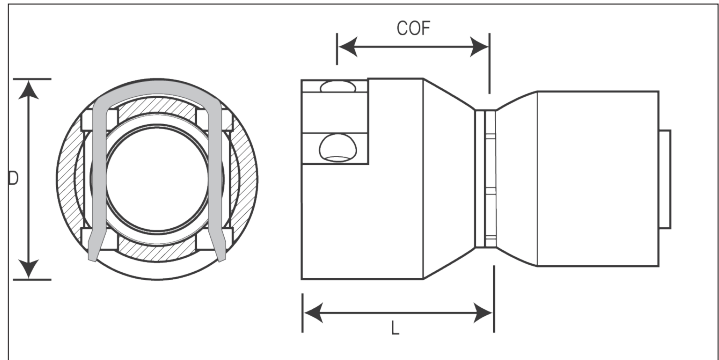


Product Code	Nominal Bore Flush Fit			Nominal Bore Hose			Dimensions mm		
	Dash	Inch	DN	Dash	Inch	DN	L	COF	D
FFSM1-5032J*	32	2"	50	32	2"	50	90	51.5	45.9
FFSM1-5032X*	32	2"	50	32	2"	50	90	51.5	45.9
FFSM1-63-40*	40	2.1/2"	63	40	2.1/2"	63	Uses BSMS-40 Ferrule with JBF-40 hose		

\*Available on request.

# FFSF1

## FLUSH FIT SUPER FEMALE HOSE TAIL



Product Code	Nominal Bore Flush Fit			Nominal Bore Hose			Dimensions Hose Tail mm		
	Dash	Inch	DN	Dash	Inch	DN	L	OD	COF
FFSF1-5032J*	32	2"	50	32	2"	50	97	95.2	75
FFSF1-5032X*	32	2"	50	32	2"	50	97	95.2	75
FFSF1-63-40*	40	2.1/2"	63	40	2.1/2"	63	Uses BSMS-40 Ferrule with JBF-40 hose		

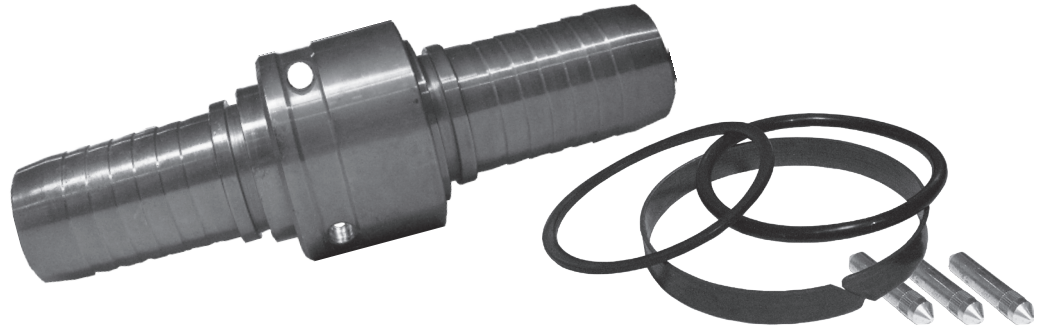
\*Available on request.



# SLIMLINE® ORIGINAL

## LOW PRESSURE COUPLING

### LOW PROFILE



**Description:**

- Steel bodied hose tail originally developed for use in Australian underground coal mines
- Intended to provide a full bore internal flow path with smallest possible exterior dimensions
- Retention system uses 2 or 3 shear pins and a pin retaining clip in spring steel
- 'Snag free' external profile

**Materials and Specifications:**

- Free cutting steel body and pins
- Flat Teflon or NBR backup ring
- Nitrile O-Ring

**Applications:**

- Low to medium pressure large bore return lines where the application requires a smooth exterior profile to avoid snagging
- Two piece ferrule and tail types using the FFI ferrule are suited to industrial hose only

**Note:**

This design has evolved into 3 variations of differing pressure capabilities, and differentiated by the pin size and clip width

Consult PIRTEK for availability

## NOMINAL WORKING PRESSURES

### SLIMLINE ORIGINAL

Dash	Size		Original Slimline - psi	
	Inch	DN	Working Pressure	Burst Pressure
24	1.1/2"	40	1450	5801
32	2"	50	1015	4061
40	2.1/2"	63	1015	4061

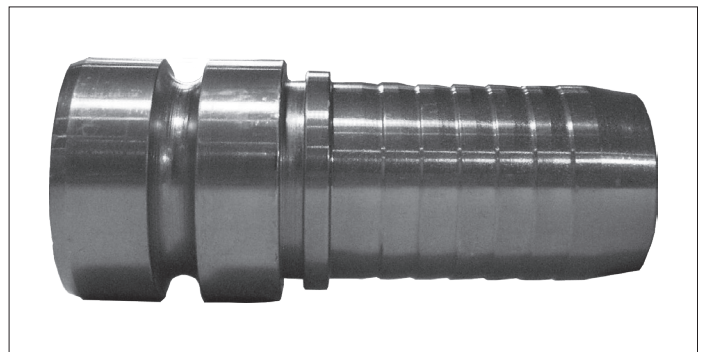
## ISLM1

### INDUSTRIAL SLIMLINE

### MALE HOSE TAIL

Requires FFI-xx ferrule

eg ISLM1-5032 requires a FFI-50 ferrule to suit FRAS hose



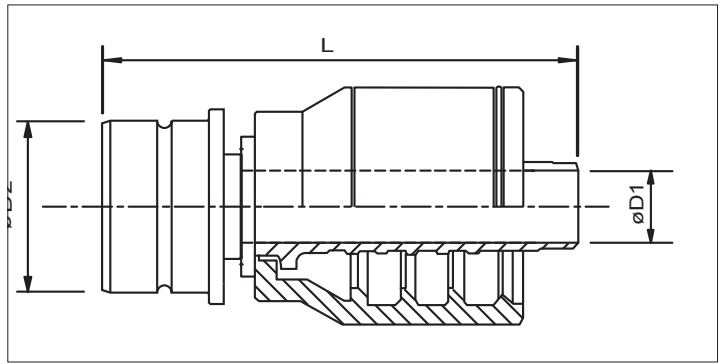
Product Code	Nominal Bore Slimline			Nominal Bore Hose			Dimensions mm		
	Dash	Inch	DN	Dash	Inch	DN	Length	OD	Cutoff Factor*
ISLM1-4024*	24	1.1/2"	40	24	1.1/2"	40	110	47.4	41
ISLM1-5032*	32	2"	50	32	2"	50	136	60.2	55
ISLM1-6340*	40	2.1/2"	63	40	2.1/2"	63	182	76.15	69

\* Sealing point for cut off factor is at the midpoint of the leading land area

\*Available on request.

# SLM1 SLIMLINE MALE HOSE TAIL

U Series Lightweight is to suit FRAS hose

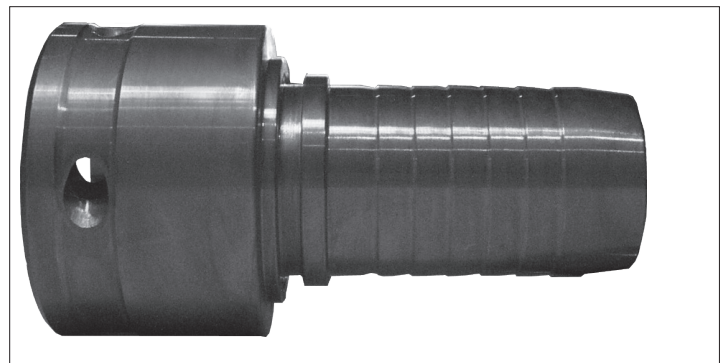


Product Code	Nominal Bore Slimline			Nominal Bore Hose			Dimensions mm		
	Dash	Inch	DN	Dash	Inch	DN	Length	D2	D1
SLM1-5032J*	32	2"	50	32	2"	50	-	60.2	-
SLM1-5032U*	32	2"	50	32	2"	50	-	60.2	-
SLM1-6340J*	40	2.1/2"	63	40	2.1/2"	63	-	76.15	-

\*Available on request.

# ISLF1 INDUSTRIAL SLIMLINE FEMALE HOSE TAIL

Requires FFI-xx ferrule  
eg ISLF1-5032 requires a FFI-50 ferrule to suit FRAS hose

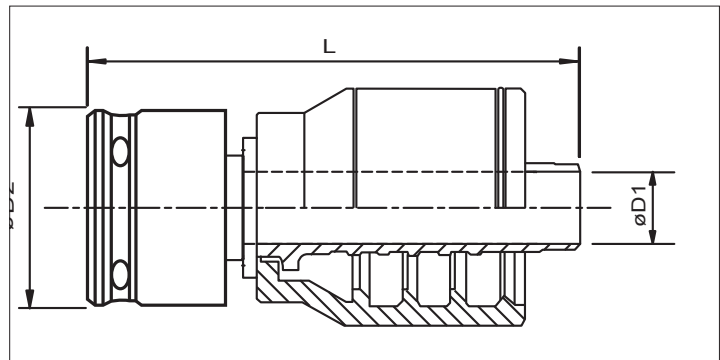


Product Code	Nominal Bore Slimline			Nominal Bore Hose			Dimensions mm		
	Dash	Inch	DN	Dash	Inch	DN	Length	OD	Cutoff Factor *
ISLF1-4024*	24	1.1/2"	40	24	1.1/2"	40	116	63.4	30

\* Sealing point for cut off factor is the internal O-Ring

\*Available on request.

# SLF1 SLIMLINE FEMALE HOSE TAIL



Product Code	Nominal Bore Slimline			Nominal Bore Hose			Dimensions mm		
	Dash	Inch	DN	Dash	Inch	DN	Length	D2	D1
SLF1-5032J*	32	2"	50	32	2"	50	-	-	-
SLF1-6340J*	40	2.1/2"	63	40	2.1/2"	63	-	-	-

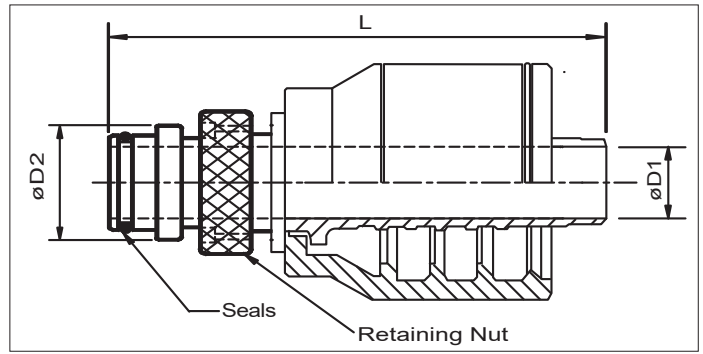
\*Available on request.



This page is part of a complete catalog containing technical and safety data.  
All data must be reviewed when selecting a product.  
PIRTEK reserves the right to change technical specifications without notice.

# SKVM1

## STANDARD PRANGE MALE

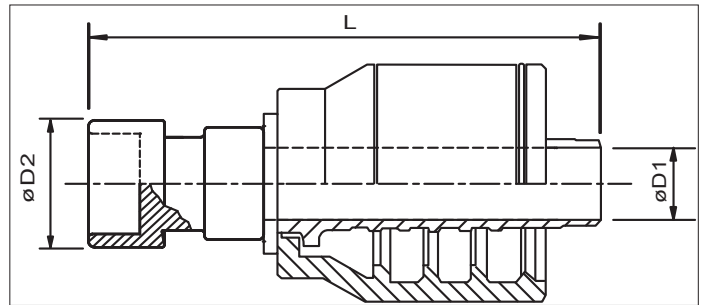


Product Code	Nominal Bore SKV			Nominal Bore Hose			Dimensions mm		
	Dash	Inch	DN	Dash	Inch	DN	D1	D2	L
SKVM1-4024J*	40	1.1/2"	40	24	1.1/2"	40	32	53	144
SKVM1-5032J*	50	2"	50	32	2"	50	44	65	155
SKVM1-6340J*	63	2.1/2"	63	40	2.1/2"	63	55	75	165

\*Available on request.

# SKVF1

## STANDARD PRANGE FEMALE

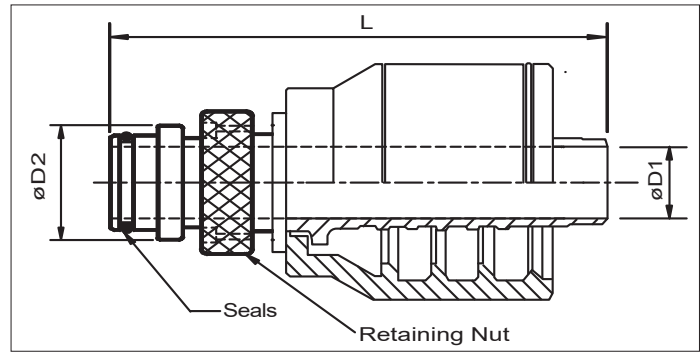


Product Code	Nominal Bore SKV			Nominal Bore Hose			Dimensions mm		
	Dash	Inch	DN	Dash	Inch	DN	D1	D2	L
SKVF1-5032J*	50	2"	50	32	2"	50	44	65	138
SKVF1-6340J*	63	2.1/2"	63	40	2.1/2"	63	55	75	136

\*Available on request.

# SSKVM1

## HIGH PRESSURE PRANGE MALE



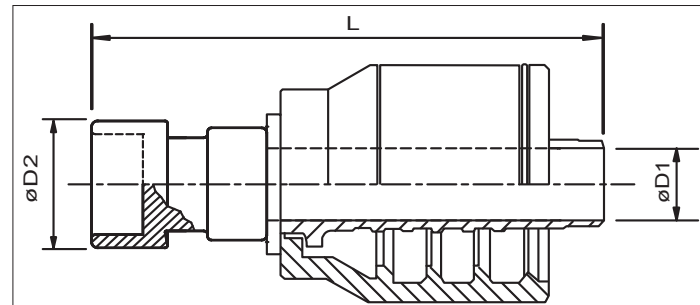
Product Code	Nominal Bore SSKV			Nominal Bore Hose			Dimensions mm		
	Dash	Inch	DN	Dash	Inch	DN	D1	D2	L
SSKVM1-1006J*	10	3/8"	10	06	3/8"	10	-	-	-
SSKVM1-1308J*	13	1/2"	13	08	1/2"	13	10	24	87
SSKVM1-2012H*	20	3/4"	20	12	3/4"	20	15	30	103
SSKVM1-2516X*	25	1"	25	16	1"	25	20	36	122
SSKVM1-4024X*	40	1.1/2"	40	24	1.1/2"	40	30	54	155
SSKVM1-5032X*	50	2"	50	32	2"	50	40	70	190
SSKVM1-6340*†	63	2.1/2"	63	40	2.1/2"	63	50	84	202

\*Available on request.

† Tail design uses a threaded latchment as seen on the Cipline fitting page 59.

# SSKVF1

## HIGH PRESSURE PRANGE FEMALE



Product Code	Nominal Bore SSKV			Nominal Bore Hose			Dimensions mm		
	Dash	Inch	DN	Dash	Inch	DN	D1	D2	L
SSKVF1-5032X*	50	2"	50	32	2"	50	40	70	168

\*Available on request.